

HIP-MITSU

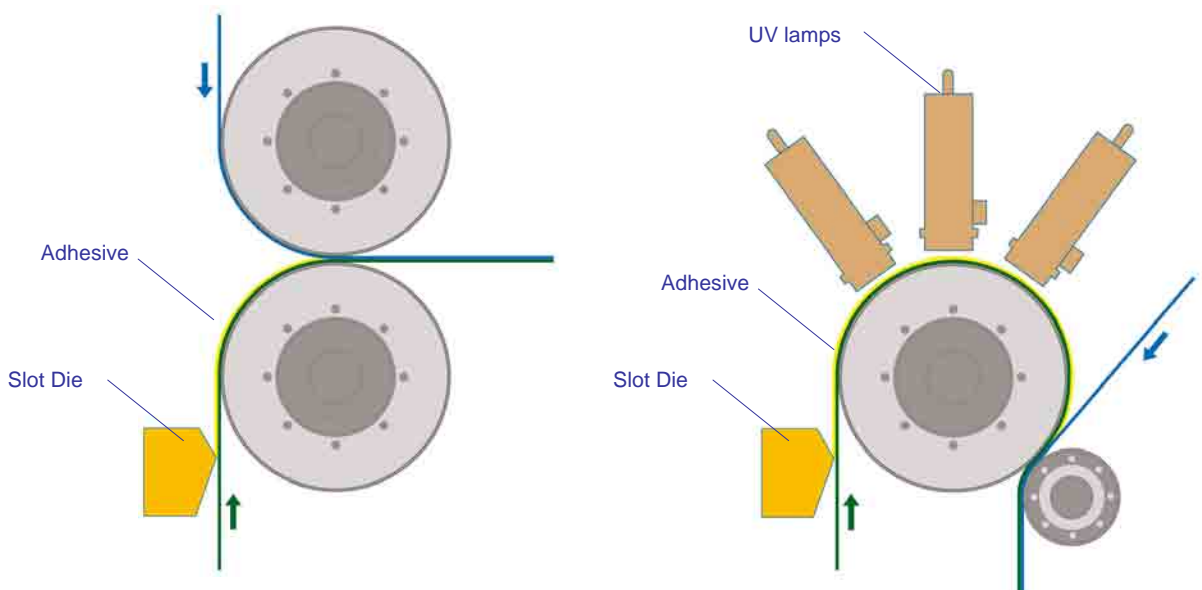
equipment & turn-key lines
for hot melt adhesive application

add value to your production

TURN-KEY SOLUTIONS FOR LABEL PRINTERS

How to reduce production costs and obtain labels with a high added value?

- 1. Considerable reduction of production costs and wastes*
- 2. Adhesive application only where required : a big advantage*
- 3. Outstanding increase of label customisation*
- 4. Production of labels with a high added value*

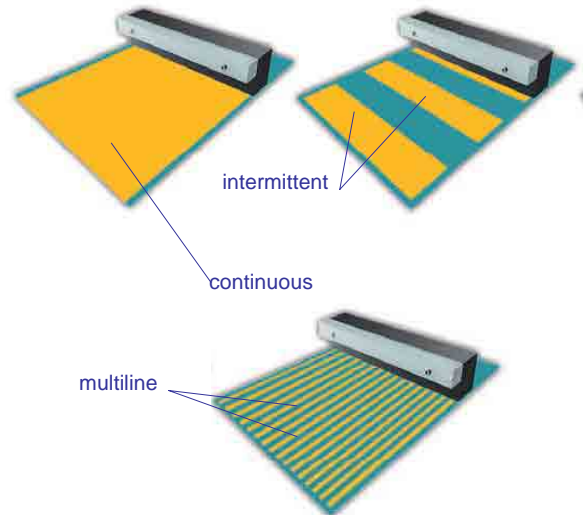


SLOT DIE for SELF-ADHESIVE LABELS

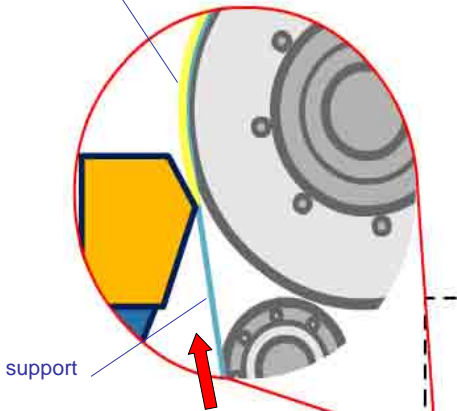
The HIP-MITSU's Web-Coaters for hot-melt and UV curable adhesives enable a precise and accurate adhesive application onto the surface of the substrate, both before and after the printing process or onto the liner. The Web-Coaters can be installed within a limited space and enable a wide range of applications such as those represented below. As they do not work in contact with any cylinder, no adjustment is required so coating width variations can take place within a few minutes. The Web-Coaters are fully synchronised with the main line leading to no contamination of the main line.



Adhesive's application

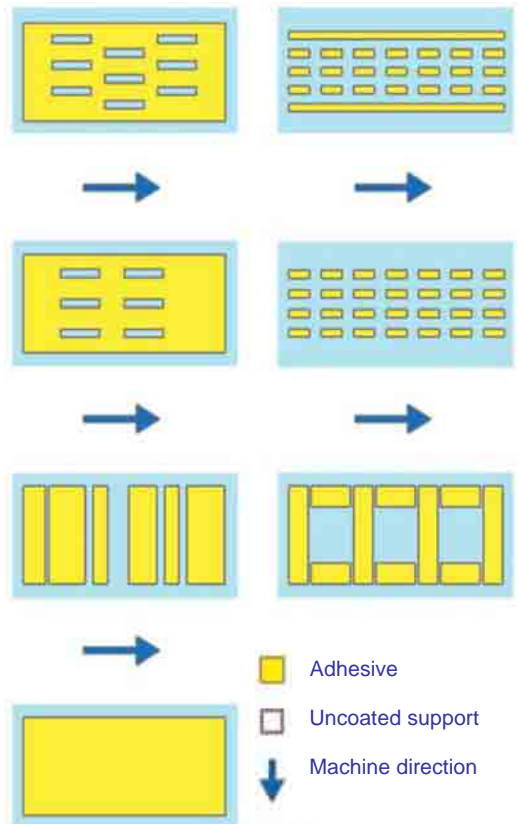


adhesive

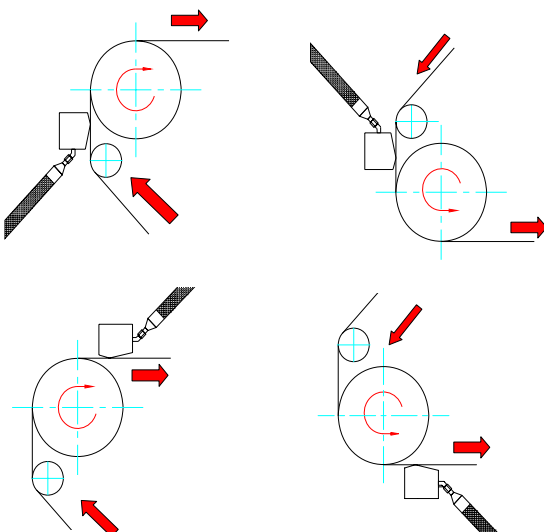


support

Some examples of adhesive patterns

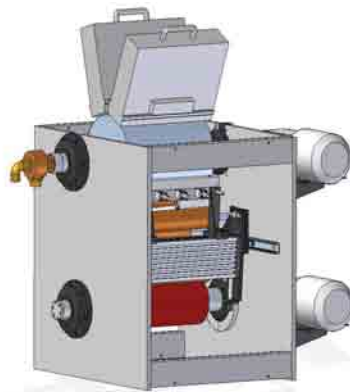
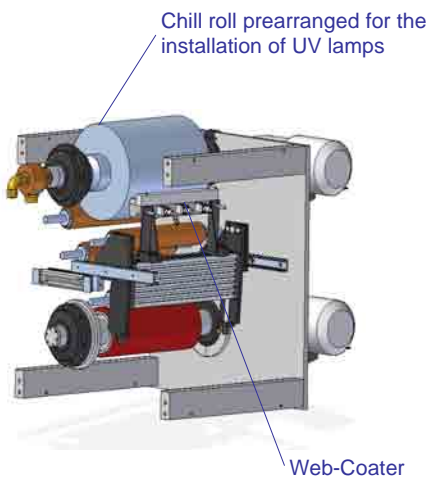


Web-Coater : available working positions

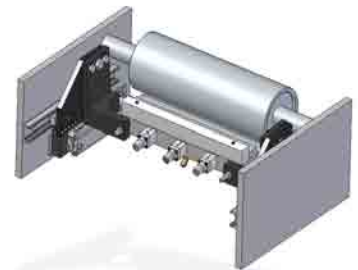


WEB-COATER : “On - Line” SOLUTION

HIP-MITSU's "Online" Web-Coaters for hot-melt and UV curable adhesives can be easily installed on existing and new printing machines for producing self-adhesive labels. Available in all the usual web widths used on printing machines and employed for the online adhesive application of printed labels. Fitted are handy eyebolts for easy transportation and positioning. They are supplied complete with Web-Coater, hoses and melting units (with continuous output or for drums), motorization left or right side and tension control for the rolls to be processed. A user friendly central control board enables an easy and efficient management of the plant. UV lamps of any brand can be installed also at a later date.



Web-Coater : integrated solution complete of UV lamps



Web-Coater : compact solution for hot melt adhesives

MELTERS for HOT MELT ADHESIVES

CONTINUOUS OUTPUT MELTING UNITS

All HIP-MITSU CONTINUOUS OUTPUT melting units enable the use of HOT MELT – also PUR and UV curable - adhesives, in chips or in blocks.

A wide range of models, all equipped with HIGH PRECISION GEAR PUMPS, meets all application needs starting from a 2,5 up to 1.000 kg/hour MELT RATE.

The standardized and integrated design enables an EXTREMELY EASY USE combined with a QUICK and SIMPLE INTERFACE to the main printing machine.



DRUM MELTERS – model DM 200 and DM 55

HIP-MITSU drum melters can process HOT MELT – also PUR and UV curable – adhesives. Model DM 200 for 200 liters drums and model DM 55 for 55 gallons drums.

DRUM MELTERS – model DM 20 and DM 5

HIP-MITSU drum melters can process HOT MELT – also PUR and UV curable – adhesives. Model DM 20 for 20 liters drums and model DM 5 for 5 gallons drums.

All models are equipped with HIGH PRECISION GEAR PUMPS.

The standardized and integrated design enables an EXTREMELY EASY USE combined with a QUICK and SIMPLE INTERFACE to the main printing machine.



Model DM 20 and DM 5



Model DM 200 and DM 55

USER FRIENDLY MITSU SYSTEM

All HIP-MITSU melters can be equipped with the MITSU USER FRIENDLY system to allow high levels of FLEXIBILITY joined to an EXTREMELY EASY USE thanks to a simultaneously digital setting of the coating weights.

Moreover the MITSU USER FRIENDLY system enables to produce NO WASTE and therefore makes SUBSTANTIAL SAVINGS in the PRODUCTION COSTS.

Working width (mm)	320
Adhesive Set Value (gr/sqm)	3,10
Adhesive Real (gr/sqm)	3,11
Line Speed (m/min)	310

GENERAL SERVICES

Competence Center – Production Lines for tests execution

The HIP-MITSU *Competence Center*, equipped with the most advanced technologies and *production lines*, helps Customers during the application development enabling adhesive, polymers and materials testing.

Free Demo in real production's conditions are available every day on HIP-MITSU equipment, lines and systems.

A full assistance to customers during each phase of the project

- *Polymer/Adhesive's research*
- *Sampling*
- *Project Engineering*

Training Courses for end users

HIP-MITSU offers to its Customers complete training courses including both theoretical and practical sections.

Full papers - available in five languages - are supplied at each course to all participants.

Courses available for: *line operator; mechanical maintenance staff; electrical maintenance staff.*

Periodical Maintenance Service

Complete programs of periodical maintenance, which can take place both at HIP-MITSU and customer's site.

Spare Parts

HIP-MITSU spare parts service avails itself of the main international couriers ensuring spare parts delivery the day after the order receipt

A worldwide sales network

HIP-MITSU is worldwide locally present with a network of highly skilled professionals, who ensure a quick and qualified answer.



First Installation and Technical Assistance

HIP-MITSU technical assistance service is held by a team of skilled English-speaking technicians operating worldwide for many years, who ensures a highly professional support both during the installation and the technical assistance.

HIP-MITSU working team includes: process engineers; mechanical maintenance staff; electrical maintenance staff; electronic maintenance staff; PLC software technicians; PC software technicians.

HIP-MITSU: a "Cappuccino" Idea

HIP-MITSU technology is really a "cappuccino" idea : as milk adds value to a coffee cup, so it adds value to the roll goods produced by the end user.



add value to your production

HEAD OFFICE

I - 31027 SPRESIANO (TV) Italy - Via A. Volta, 1
Tel. + 39 0422 887.566 r.a. - Fax + 39 0422 887.337 - <http://www.hip-mitsu.com> e-mail: info@hip-mitsu.com